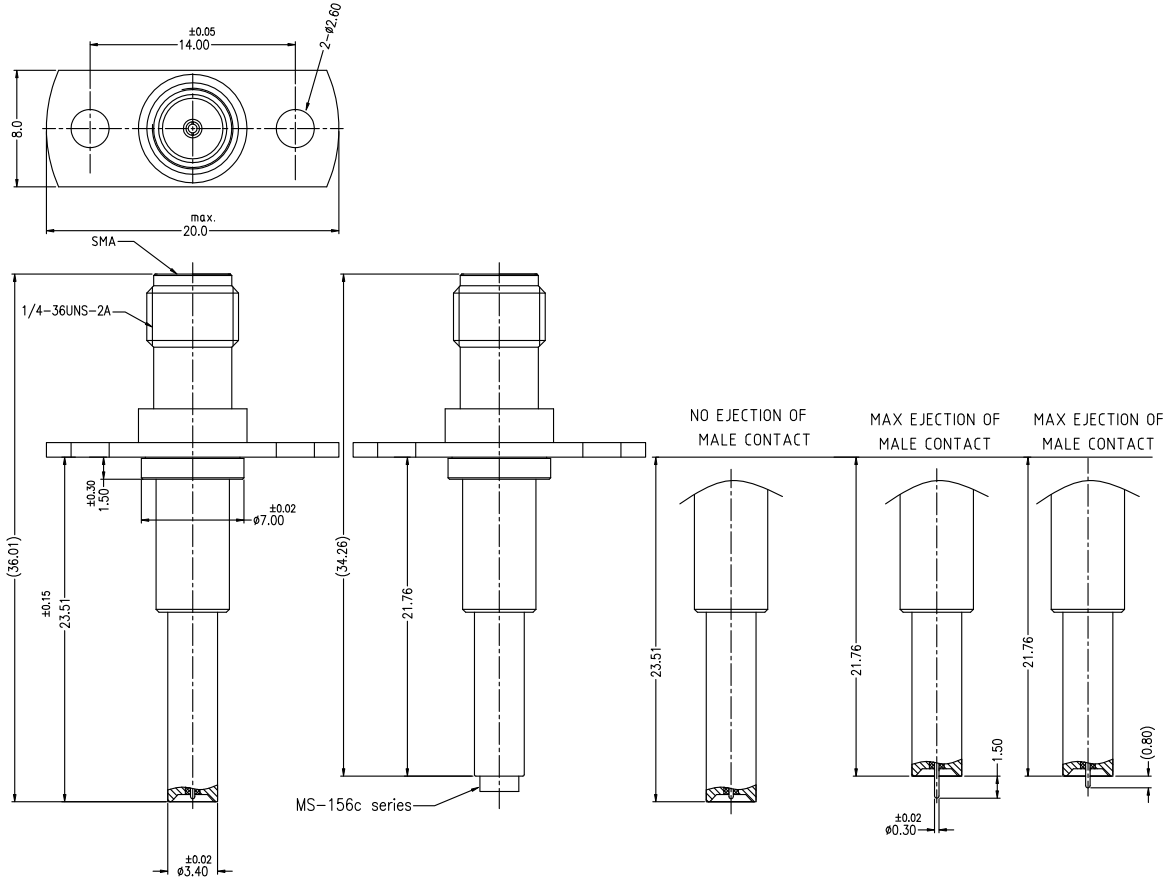


REV.	DESCRIPTION	ECN NO.	NAME	DATE
0	FIRST EDITION	N/A	Flame	2022-08-16



ALL PARTS MUST MEET TO RoHS REQUIREMENTS



MATERIALS AND PLATING		UNIT: MICRO-INCHES
PART NAME	MATERIALS	PLATING
BODY	STAINLESS STEEL	PASSIVATION
INSULATOR	PTFE MIL-P-19468	N/A
CONTACT PIN	BERYLLIUM COPPER	PL.GOLD/NICKEL/COPPER
SPRING	STAINLESS STEEL	PASSIVATION

ELECTRICAL CHARACTERISTICS	
IMPEDANCE	50 Ω
VOLTAGE RATING	170 V(rms)
FREQUENCY RANGE	0 ~ 12 GHz
DIELECTRIC WITHSTANDING VOLTAGE	> 500 V
CONTACT RESISTANCE	CENTER CONTACT < 50.0 mΩ
	OUTER CONTACT < 20.0 mΩ
INSULATION RESISTANCE	> 500 MΩ
INSERTION LOSS	< 0.8 dB @ DC~12GHz
VSWR	< 1.3 @ DC~8 GHz
	< 1.8 @ 8~12 GHz

MECHANICAL CHARACTERISTICS	
DURABILITY(SMA)	>500cycles
DURABILITY(MS-156)	>20000cycles

ENVIRONMENTAL PARAMETER	
TEMPERATURE RANGE	-40 °C ~ +85 °C

*** CUSTOMER OUTLINE DRAWING**

UNLESS OTHERWISE SPECIFIED:
 1) EDGES : C0.15 MAX ;
 2) REMOVE ALL BURRS ;
 3) SURFACE ROUGHNESS : Ra1.6 ;
 4) UNITS : mm ;
 5) DIMENSIONS TOLERANCES
 DECIMALS : .x ±0.3 .xx ±0.2 .xxx±0.1;
 ANGLES : ± 5°.

THIRD ANGLE PROJECTION	
APPROVED :	CUSTOMER P/N :
CHECKED :	SCALE :
DRAWING : Flame	DATE : 2022-08-16
PAGE : 1/1	

TITLE : SMA FEMALE S/T TO MS-156 BLINDMATE ADAPTOR
 DRAWING NO. : T-5EZM06S-MAF-010
 COMPANY WEBSITE : www.slkcorp.com