
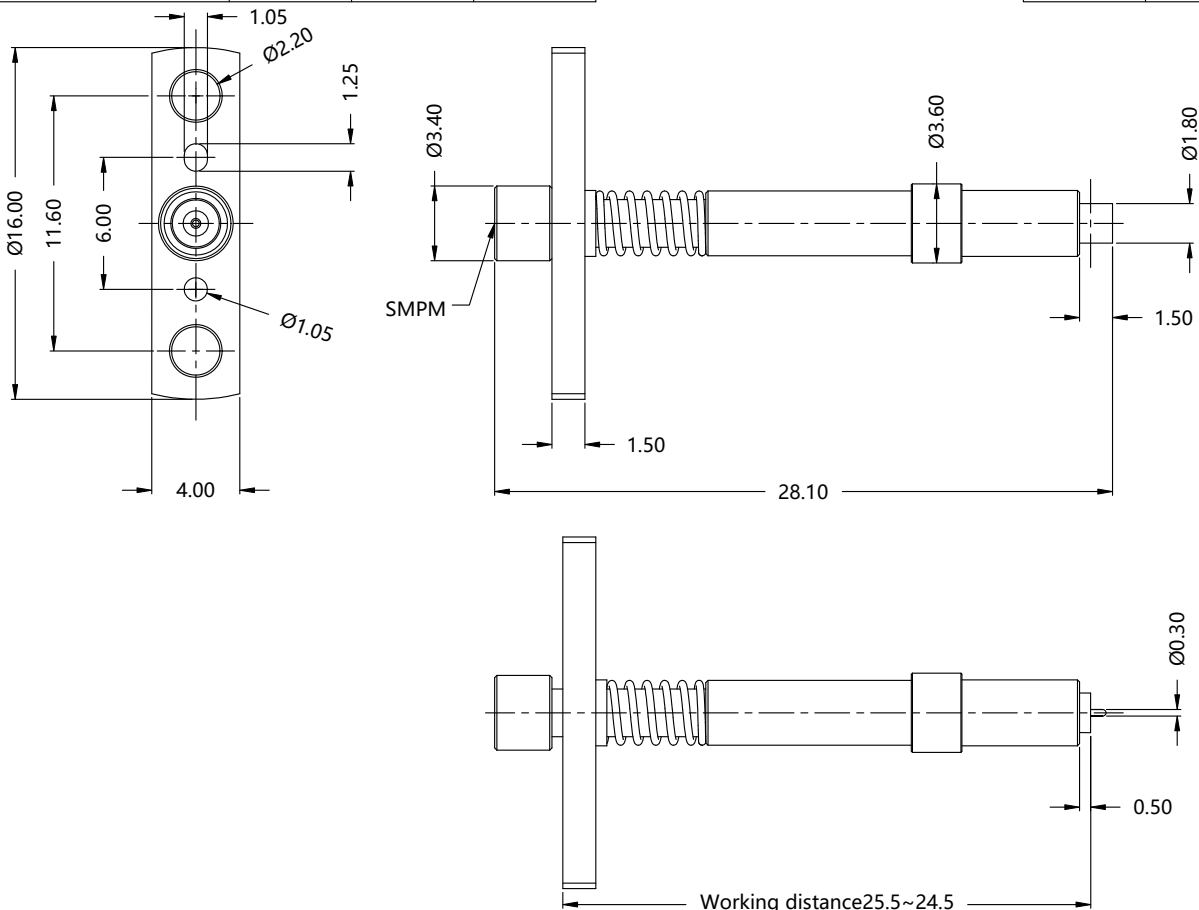


REV.	DESCRIPTION	ECN NO.	NAME	DATE	 ALL PARTS MUST MEET TO RoHS REQUIREMENTS
0	FIRST EDITION	N/A	Flame	2022-08-22	



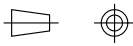

MATERIALS AND PLATING		UNIT: MICRO-INCHES
PART NAME	MATERIALS	PLATING
BODY	BRASS C3604	PL.GOLD/NICKEL/COPPER
INSULATOR	PTFE MIL-P-19468	N/A
CONTACT PIN	BERYLLIUM COPPER	PL.GOLD/NICKEL/COPPER
FLANGE	STAINLESS STEEL	PASSIVATION

ELECTRICAL CHARACTERISTICS		
IMPEDANCE	50 Ω	
VOLTAGE RATING	170 V(rms)	
FREQUENCY RANGE	0~12 GHz	
DIELECTRIC WITHSTANDING VOLTAGE	>500 V	
CONTACT RESISTANCE	CENTER CONTACT	<50.0 mΩ
	OUTER CONTACT	<20.0 mΩ
INSULATION RESISTANCE	>500 MΩ	
INSERTION LOSS	<0.8 dB @DC~12GHz	
VSWR	<1.3 @ DC~8 GHz	
	<1.8 @ 8~12 GHz	

MECHANICAL CHARACTERISTICS	
DURABILITY(SMPM)	>500cycles
DURABILITY(SWJ)	>20000cycles

ENVIRONMENTAL PARAMETER	
TEMPERATURE RANGE	-40 °C~+125 °C

**\* CUSTOMER OUTLINE DRAWING**

UNLESS OTHERWISE SPECIFIED: 1) EDGES : C0.15 MAX ; 2) REMOVE ALL BURRS ; 3) SURFACE ROUGHNESS : Ra1.6 ; 4) UNITS : mm ; 5) DIMENSIONS TOLERANCES DECIMALS : .x ±0.3 .xx ±0.2 .xxx±0.1; ANGLES : ± 5°.	THIRD ANGLE PROJECTION 		
	APPROVED :	CUSTOMER P/N :	
	CHECKED :	SCALE :	DRAWING NO. :
	DRAWING : Flame	DATE : 2022-08-22	T-5MPM06S-SJM-001
PAGE : 1/1		COMPANY WEBSITE : www.slkcorp.com	