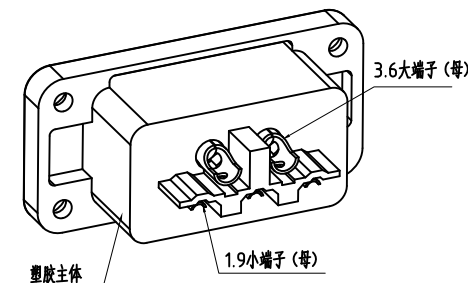
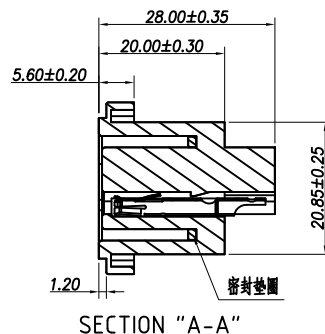
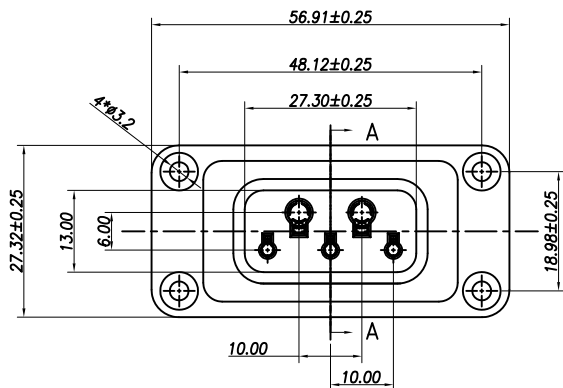
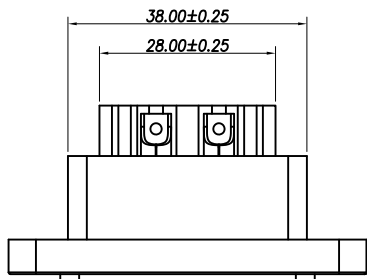


REV	DESCRIPTION	ECN NO.	NAME	DATE
0	FIRST EDITION	N/A	QGZ	2020-03-26
1	ADD SIGNAL CONTACT RESISTANCE	N/A	QGZ	2020-06-05

NOTICE: ALL PARTS MUST MEET TO RoHS REQUIREMENTS

RoHS



NOTES:

- Material
Housing: PBT, Color: Black
Contact: BERYLLIUM COPPER,
Contact area 100-200u" nickel plating
- Electrical
Rated Current: 35A (POWER CONTACT)
POWER CONTACT RESISTANCE : 1.0 MILLIOHMS MAX.
△ SIGNAL CONTACT 3.0 MILLIOHMS MAX.
Dielectric Strength: AC 1000V
Insulation Resistance: 100MΩ MIN
- Mechanical
Durability: ≥3000 cycles
- Temperature Range: -20°C~+60°C
Level of waterproof: IP65

CUSTOMER OUTLINE DRAWING

ISSUE	1	SCALE	1/1	PART NO.	
				APPROVED	
UNLESS OTHERWISE SPECIFIED 1) EDGES C0.15 MAX. 2) REMOVE ALL BURRS 3). SURFACE ROUGHNESS Ra1.6 4).UNITS: mm 5). XX±0.1 .XXX±0.05				CHECKED	5PIN SOCKET
				DRAWN	DRAWING NO.
				DATE	2020-06-05
				Company Website: http://www.slkcorp.com	

CUSTOMER OUTLINE DRAWING